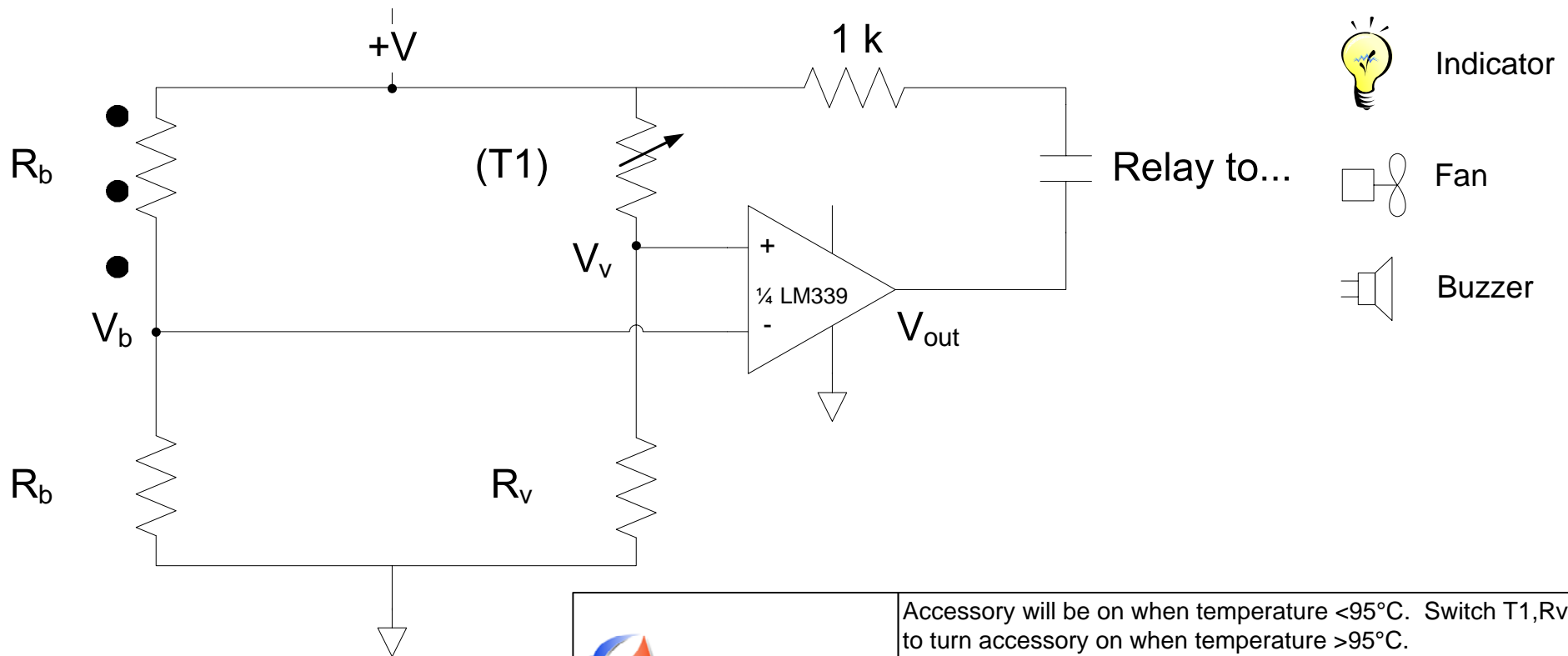


NTC thermistor interface with voltage comparator

Select resistor values to minimize current draw
 $V_{out} = V$ or ground
 Use relay on V_{out} for high power leads.



Select $T1$ and R_v so that $V_v = V_b$ at switch point.



Accessory will be on when temperature $< 95^\circ\text{C}$. Switch $T1, R_v$ to turn accessory on when temperature $> 95^\circ\text{C}$.

100k nominal Curve W thermistor, $R @ 95^\circ\text{C} = 6.54\text{k ohm}$
 $6.54\text{k} \pm 1\% = 95^\circ\text{C} \pm .3^\circ\text{C}$

(800) 554-4784

SIZE

4/6/2006

DWG NO

REV

WWW.THERMISTOR.COM

SCALE

1:1

SHEET

1 OF 1